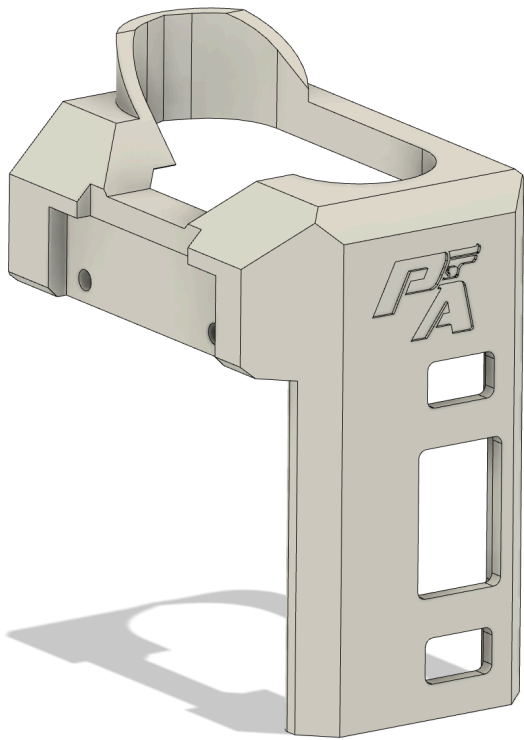
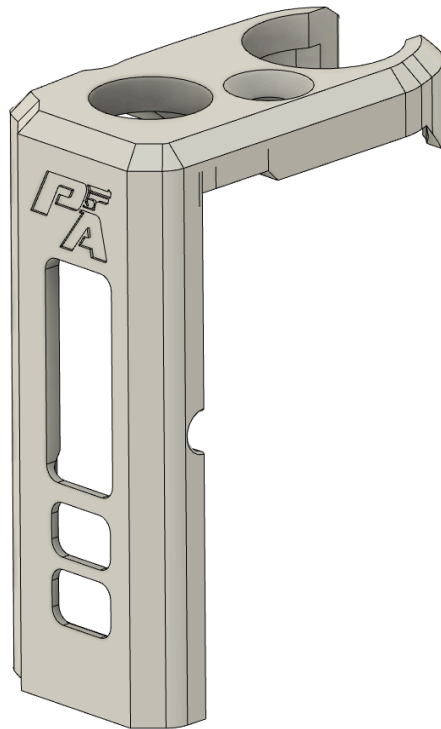


Radio Button Guard



Baofang UV-5R



Quansheng UV-K5

About

The Radio Button Guard provides additional protection for your radio. With a lightweight, low-profile design, our Radio Button Guard will prevent you from accidentally turning your radio on and keep your Push-to-Talk button safe. We utilize high quality ABS plastic for maximum shock protection, ensuring your button guard won't break as easily while in the field.

Specifications

- Construction: ABS
- Finish: Matte/Gloss depending on Production run
- Weight: 9.07 g
- Length: 2 $\frac{3}{4}$ in - 3 $\frac{1}{8}$ in
- Width: 1 $\frac{1}{4}$ in
- Height: 2 $\frac{1}{8}$ in - 2 $\frac{3}{8}$ in
- Antenna Diameter: Quansheng $\frac{5}{8}$ in - Baofang 11/16 in

Installation

Quansheng

- Install the Radio Button Guard over the Quansheng UV-K5 radio and align the antenna, LED and volume knob with their respective openings.

- Ensure the 2 protrusions on the right of the guard sit around the right side of the radio.
- Gently guide the left side to align with the buttons until the Radio Button Guard clicks into place.

Baofeng

- Remove the 2 belt clip mounting screws and remove the belt clip.
- Fit the Radio Button Guard over the UV-5R radio and align the antenna, LED and volume knob with their respective openings.
- Re-install the belt clip and belt clip mounting screws. The screws will fit through the Radio Button Guard and the belt clips.

The PA Guarantee

Purposeful Armament warrants that if you - our customer - purchases one of our products, and we determine that it is defective in material and/or workmanship during the duration of our warranty period, we will replace it with no hassle.

Our warranty does not cover normal wear-and-tear or damage resulting from abuse, alterations, unauthorized repairs or use contrary to Purposeful Armament's user manuals.

Should you need a replacement part, Purposeful Armament reserves the right to replace an obsolete product with a current production model. The customer also understands some slight variations in print can occur and does not constitute a warranty claim.

Standard Disclaimer

Except as specified above or prohibited by applicable law: all express or implied conditions and warranties, including, without limitation, any implied warranty or condition of merchantability or fitness for a particular purpose, or accuracy of any informational content, are hereby excluded and disclaimed by Purposeful Armament; and in no event will Purposeful Armament be liable for any special, direct, indirect, consequential, incidental or punitive damages howsoever arising and regardless of the theory of liability, even if advised of the possibility of such damages. Products, prices, availability, specifications, and offers are subject to change or cancellation at any time without notice.

Warranty Claims

For claims, contact customer service support@purposefularmament.com or visit purposefularmament.com/product-policy to view more information on our warranty process.